


THANK YOU FOR PURCHASING A HOTPOINT PRODUCT.

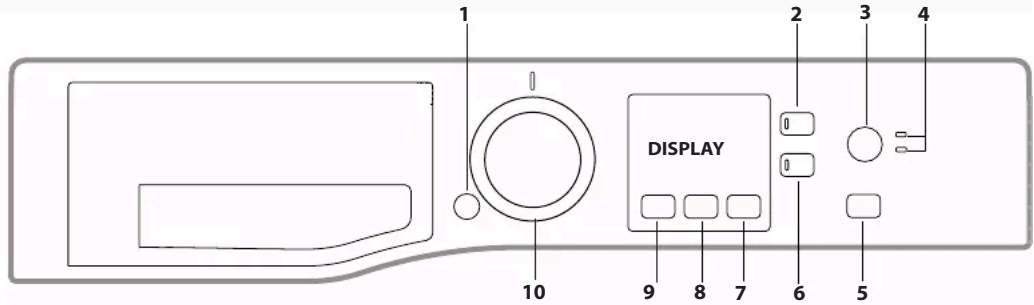
To receive more comprehensive assistance, register the appliance on www.hotpoint.eu/register

Before using the appliance carefully read the Health and Safety guide.

 Before using the machine, it is imperative that the transport bolts are removed. For more detailed instructions on how to remove them, see the Installation Guide.

CONTROL PANEL

1. ON/OFF button
2. KEY LOCK button
3. EXTRA TOUCH button
4. EXTRA TOUCH indicator lights
5. START/PAUSE button and indicator light
6. OPTION button and indicator light
7. DELAY START button
8. SPIN button
9. TEMPERATURE button
10. WASH CYCLE SELECTOR KNOB



WASH CYCLE TABLE

Maximum load 10 kg Power input in off mode 0.5 W / in left-on mode 8 W					Detergents and Additives		Recommended detergent		Residual dampness % (***)	Energy consumption kWh	Total water lt	Laundry temperature °C
Wash cycle	Temperature		Maximum spin (r.p.m.)	Max. load (kg)	Duration (h : m)	Wash	Fabric softener	Powder				
	Setting	Range 2 3										
Mixed 40°C		❄ - 40°C	1400 10,0 **			● ○		-	✓	---		
Eco 40-60 (1) 40°C 40°C			1351 10,0 3:59			● ○ ✓ ✓				53 1,07 59 35		
			1351 5,0 3:00			● ○ ✓ ✓				53 0,83 59 35		
			1351 2,50 2:15			● ○ ✓ ✓				53 0,58 42 33		
Cotton (2) 40°C		❄ - 60°C	1400 10,0 3:50			● ○ ✓ ✓				71 1,14 102 45		
Synthetics (3) 40°C		❄ - 60°C	1200 4,5 2:55			● ○ ✓ ✓				35 0,54 74 43		
Delicates 40°C		❄ - 40°C	1000 4,5 **			● ○		-	✓	---		
Wool 40°C		❄ - 40°C	800 2,0 **			● ○		-	✓	---		
Anti Allergy 60°C 40°C - 60°C			1400 5,0 **			● ○ ✓ ✓				---		
Spin & Drain * -- 1400		10,0 **										
Rinse & Spin -- 1400		10,0 **					○					
Baby 40°C		❄ - 40°C	800 4,0 **			● ○		-	✓	---		
20°C 20°C		❄ - 20°C	1400 10,0 1:50			● ○		-	✓	54,5 0,14 78 22		
Duvet 30°C		❄ - 30°C	1000 3,5 **			● ○		-	✓	---		
White 40°C		❄ - 90°C	1400 10,0 2:05			● ○ ✓		-	✓	54,6 0,89 89 42		
30 min 30°C		❄ - 30°C	800 4,5 0:30			● ○		-	✓	71 0,18 37 27		
Full Load 45 min 40°C		❄ - 40°C	1200 10,0 **			● ○		-	✓	---		
Anti Stain 40° 40°C		❄ - 40°C	1400 10,0 **			● ○		-	✓	---		
● Required dosage ○ Optional dosage												
Eco Cotton (4)	60°C 60°C	1400 10,0 3:30				● ○ ✓ ✓				53 1,22 58 -		
	40°C 40°C	1400 10,0 3:50				● ○ ✓ ✓				71 1,14 102 -		

The cycle duration indicated on the display or instruction manual is an estimate based on standard conditions. The actual duration may vary in relation to several factors, such as the temperature and pressure of the incoming water, ambient temperature, amount of detergent, load quantity and type, load balancing and any additional options selected. The values given for programmes other than the Eco 40-60 programme are indicative only.

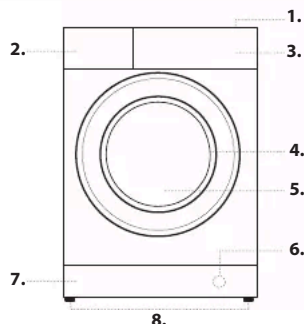
1) Eco 40-60 - Test wash cycle in compliance with EU Ecodesign regulation 2019/2014. The most efficient programme in terms of energy and water consumption for washing normally soiled cotton laundry.
Note: spin speed values shown on the display can slightly differs from the values stated in the table.

For all testing institutes:

- 2) Long cotton cycle: set programme **Cotton** at temperature 40°C.
- 3) Long synthetics cycle: set cycle **Synthetics** at a temperature of 40°C.

PRODUCT DESCRIPTION

1. Top
2. Detergent dispenser drawer
3. Control panel
4. Handle
5. Porthole door
6. Drain pump (behind the plinth)
7. Plinth (removable)
8. Adjustable feet (2)



* By selecting the **Spin & Drain** cycle and excluding the spin cycle, the washing machine will drain only.

** The duration of the wash cycles can be checked on the display.

*** If "Steam Hygiene" option is set, the duration of the wash cycles will increase.

**** After programme end and spinning with maximum selectable spin speed, in default programme setting.

4) Eco Cotton - Test wash cycles in compliance with regulations 1061/2010. Set "**Cotton**" wash cycle at a temperature of 40°C or 60°C to access this cycles.

DETERGENT DISPENSER DRAWER

Compartment *:

Do not insert detergent in this compartment.
Compartment 1: Washing detergent (powder or liquid)

If liquid detergent is used, the removable plastic partition **A** (supplied) should be used for proper dosage.

If powder detergent is used, place the partition into slot **B**.

Compartment 2: Additives (fabric softeners, etc.)
The fabric softener must not exceed the "MAX" level.

! Use powder detergent for white cotton garments, for pre-washing, and for washing at temperatures over 60°C.

! Follow the instructions given on the detergent packaging.

